

High Voltage SHEV fuse

Rated 450 V DC



Specifications

Interrupting Rating:	10kA @ 450 V DC
Voltage Rating:	450 V DC
Operating Temperature Range:	-40°C to +125°C
Net Weight per Fuse:	30 g ±5 g
Material:	Body: Melamine (U.L. 94 Flammability rating – V0) End caps: Stainless Steel Terminals: Copper Alloy
Recommended Mounting Torque M6:	6 ±1 Nm (Max. allowed: 10 Nm)
Refers To:	ISO 8820-8 1 st ed. 2012-08-01 (Type J2), JASO D622

Description

HC SHEV fuses employ diffusion pill technology. This enables them to provide predictable time-delayed circuit protection in high-voltage, high-current systems. These bolt down HC automotive fuses can be installed in most EVs and hybrid passenger vehicles.

Features & Benefits

- Ampere stamps on terminals aid identification
- Industry-standard footprint

Applications

- EVs
- Hybrid passenger vehicles

Ordering Information

Part Number	Rating	Termination	Package Size
SHEVxxx.ZXBD	60 A - 150 A *	M6 Bolt Down	320

The following ratings: 70 A, 125 A and 150 A are under development. Please contact Littelfuse® for more details regarding availability timing

High Voltage SHEV fuse

Rated 450 V DC

Ratings

Part Number	Current Rating (A)	Typ. Voltage Drop (mV)	Max. Voltage Drop Spec at 100% IR (mV)	Typical Cold Resistance (mΩ)	Typical Melting I²t (A²s)
SHEV060.ZXBD	60	110	200	1.4	7 750
SHEV070.ZXBD	70 *	115	200	1.2	Coming Up
SHEV080.ZXBD	80	90	200	0.8	16 000
SHEV100.ZXBD	100	95	200	0.62	27 100
SHEV125.ZXBD	125 *	95	200	0.48	Coming Up
SHEV150.ZXBD	150 *	140	200	0.48	Coming Up

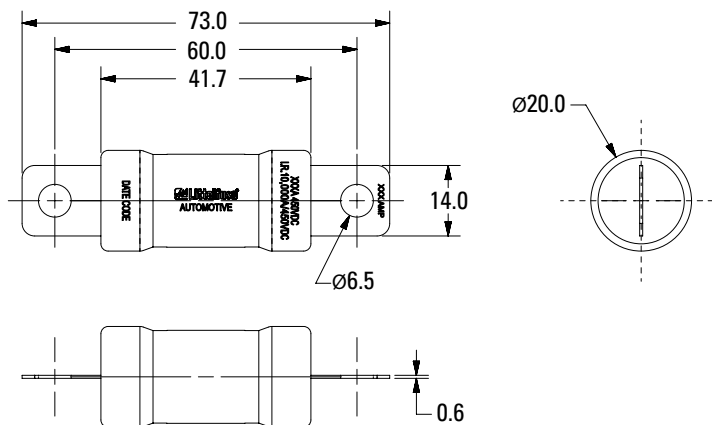
Final values for voltage drop, resistance, melting I²t and T/C curves will be generated from PV tests data

(*) Products in development - please contact Littelfuse® for more details regarding availability timing. .

The typical I²t is an average value calculated from the breaking capacity tests by using the melting time before the arcing occurs.

Dimensions

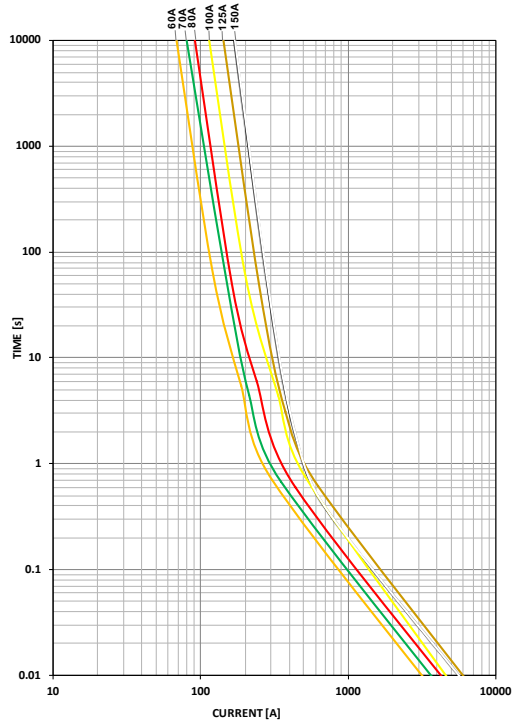
Dimensions in mm



High Voltage SHEV fuse

Rated 450 V DC

Time-Current Characteristic Curves



Time-Current Characteristics

% of Rating	Opening Time Min. / Max. (s)
110	14 400 / ∞
200	1 / 300
300	0.2 / 30
500	0.05 / 1