

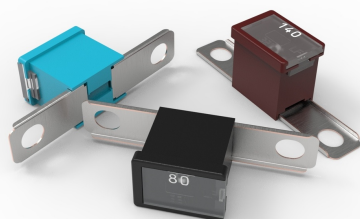
PAL Fuses - 295 Series

Rated 32 V DC

RoHS

Specifications

Voltage Rating:	32 V DC
Current Cycling:	24°C
Operating Temperature Range:	-40°C to +125°C
Complies with	ISO 8820-4



PAL Fuses - 295 Series

Description

Many Japanese automakers use 295 Series Auto Link PAL fuses as original equipment. These bolt-down fuses typically protect alternators and starters. During tests, each of the 295 Series PAL fuses met its performance requirements when receiving 50 % of its ampere rating for 10 000 cycles when current flowed for 5 minutes and was shut off for 10 minutes. The tests were conducted while the temperature of the bolt-down cartridge fuse was 24 °C.

Features & Benefits

- Color coding indicates ampere rating
- Transparent covers make it easier to see when fuses blow
- Bolt securely in place

Applications

- Cars made in Japan and the United States

Ordering Information

Part Number	Package Size
0295xxx.H	100
0295xxx.U	500
0295xxx.MXJ	1000

PAL Fuses - 295 Series

Rated 32 V DC

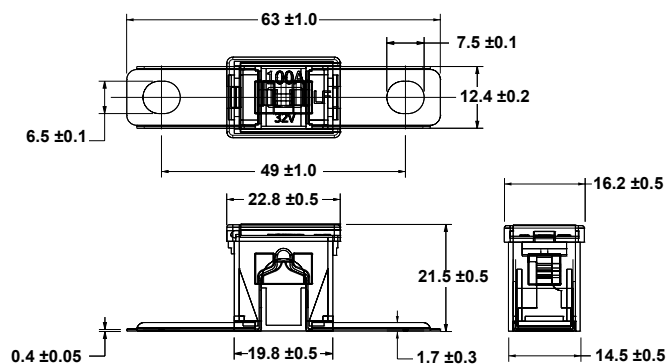
Ratings

Part Number	Current Rating (A)	Body Color
0295020._	20	LIGHT BLUE
0295030._	30	PINK
0295040._	40	GREEN
0295050._	50	RED
0295060._	60	YELLOW
0295070._	70	BROWN
0295080._	80	BLACK
0295100._	100	BLUE
0295120._	120	WHITE
0295140._	140	REDDISH BROWN

(Average Initial Measurements)

Dimensions

Dimensions in mm



PAL Fuses - 295 Series

Rated 32 V DC

Time-Current Characteristics

% of Rating	Opening Time Min / Max (s)
110	14,400
200	5 / 100
350	0.2 / 7
600	0.040 / 1